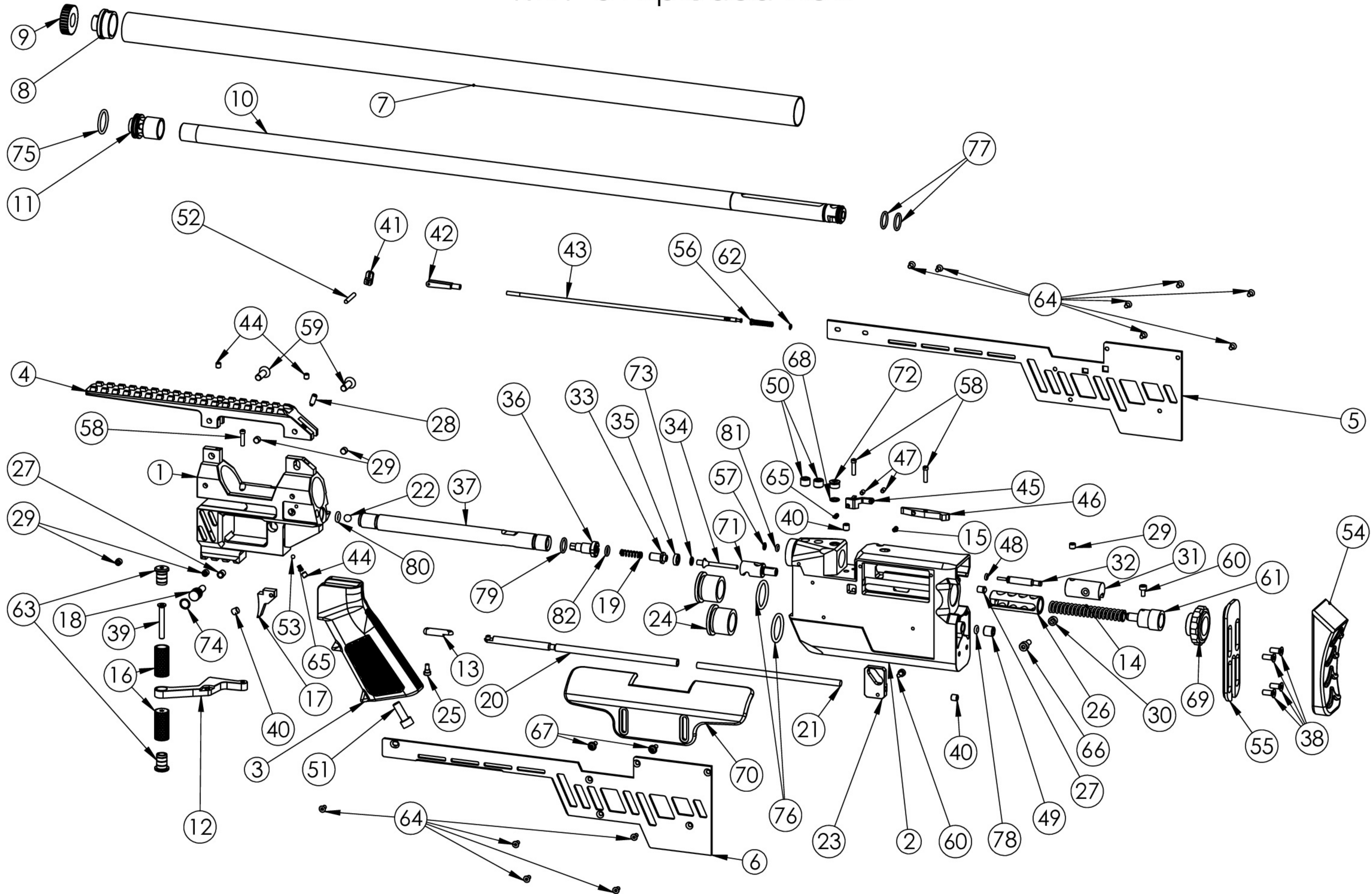


# RTI P-3 Exploded view



| ITEM NO. | PART NUMBER                         | DESCRIPTION | QTY. |
|----------|-------------------------------------|-------------|------|
| 42       | 42. Clevis                          |             | 1    |
| 43       | 43. Trigger link rod                |             | 1    |
| 44       | M4x4 DIN913                         |             | 3    |
| 45       | 45. Trigger sear                    |             | 1    |
| 46       | SL-46. Trigger pivot sear           |             | 1    |
| 47       | M3x5 DIN913                         |             | 2    |
| 48       | O-ring pellet probe                 |             | 1    |
| 49       | M8x8 DIN913                         |             | 1    |
| 50       | M8x6 DIN913                         |             | 2    |
| 51       | M6x16 DIN912                        |             | 1    |
| 52       | 52. Trigger axis                    |             | 1    |
| 53       | 53. Safety ball 3mm                 |             | 1    |
| 54       | 7-3. Recoil pad                     |             | 1    |
| 55       | 7-5. Buttplate holder fixed         |             | 1    |
| 56       | Spring 3                            |             | 1    |
| 57       | O-ring ID 4x1 NBR70                 |             | 1    |
| 58       | 58. Trigger screw                   |             | 3    |
| 59       | M5x16 DIN7991                       |             | 2    |
| 60       | M3x6 DIN912                         |             | 2    |
| 61       | SL-61. Hammer spring adjuster screw |             | 1    |
| 62       | 62. Trigger clip                    |             | 1    |
| 63       | 63. Cocking handle plug             |             | 2    |
| 64       | M3x6 DIN7991                        |             | 12   |
| 65       | Spring 2                            |             | 2    |
| 66       | M4x10 DIN912                        |             | 1    |
| 67       | M3x8 ISO7380-2                      |             | 2    |
| 68       | O-ring ID 6x1 NBR70                 |             | 1    |
| 69       | SL-69. Hammer spring adjuster       |             | 1    |
| 70       | SL-70. Cheek riser                  |             | 1    |
| 71       | SL-71. Valve seat                   |             | 1    |
| 72       | SL-72. Port plug                    |             | 1    |
| 73       | O-ring ID 5x1 NBR70                 |             | 1    |
| 74       | O-ring ID 6x1 NBR70 RED             |             | 1    |
| 75       | O-ring ID 17x2 NBR70                |             | 1    |
| 76       | O-ring ID 20x2.5 NBR70              |             | 2    |
| 77       | O-ring ID 12x1.5 NBR70              |             | 3    |
| 78       | O-ring ID 3x2 NBR70                 |             | 1    |
| 79       | O-ring ID 10x1.5 NBR70              |             | 1    |
| 80       | O-ring ID 5x2 NBR70                 |             | 1    |
| 81       | O-ring ID 3x1.5 NBR70               |             | 1    |
| 82       | O-ring ID 6x1.5 NBR90               |             | 1    |

| ITEM NO. | PART NUMBER                 | DESCRIPTION | QTY. |
|----------|-----------------------------|-------------|------|
| 1        | SL-1. Front                 |             | 1    |
| 2        | SL-2. Body P3               |             | 1    |
| 3        | 3. AR-15 Grip               |             | 1    |
| 4        | 3-2. Rail 20MOA             |             | 1    |
| 5        | 5. Right cover              |             | 1    |
| 6        | 6. Left Cover               |             | 1    |
| 7        | 7-610. Shroud               |             | 1    |
| 8        | 8. Shroud cap               |             | 1    |
| 9        | 9. Shroud thread cover      |             | 1    |
| 10       | 10. Barrel                  |             | 1    |
| 11       | 11. Muzzle cap              |             | 1    |
| 12       | SL-12. Cocking handle       |             | 1    |
| 13       | SL-13. Cocking rod link     |             | 1    |
| 14       | Spring 5                    |             | 1    |
| 15       | Spring 1                    |             | 1    |
| 16       | SL-16. Cocking handle grip  |             | 2    |
| 17       | 17. Trigger blade           |             | 1    |
| 18       | 18. Safety knob             |             | 1    |
| 19       | Spring 7                    |             | 1    |
| 20       | SL-20. Cocking rod          |             | 1    |
| 21       | 21. Cocking rod short       |             | 1    |
| 22       | Ball 6mm                    |             | 1    |
| 23       | SL-23. Slider               |             | 1    |
| 24       | 24. Plenum cap              |             | 2    |
| 25       | SL-25. Cocking handle screw |             | 1    |
| 26       | SL-26. P-3 Hammer           |             | 1    |
| 27       | Ball detent                 |             | 2    |
| 28       | M4x10 DIN913 Plastic tip    |             | 1    |
| 29       | M5x4 DIN913                 |             | 5    |
| 30       | 30. Locking screw spacer    |             | 1    |
| 31       | SL-31. Pusher guide Prophet |             | 1    |
| 32       | 32. Pellet pusher           |             | 1    |
| 33       | 33-3. Valve pin nut         |             | 1    |
| 34       | 34-3. Valve pin P-3         |             | 1    |
| 35       | 35-3. Valve seal Prophet    |             | 1    |
| 36       | 36-3. Valve cylinder        |             | 1    |
| 37       | SL-37. Air flow tube        |             | 1    |
| 38       | M4x10 DIN7991               |             | 4    |
| 39       | M4x30 DIN7991               |             | 1    |
| 40       | M5x5 DIN913                 |             | 3    |
| 41       | 41. Trigger arm             |             | 1    |